

# B44

**:: Driver:** Ryan Cavaliere **:: Date:** 2008.2.9-10  
**:: Track:** YATABE ARENA Off-road Track  
**:: Event:** YATABE International Off-road Grand Prix

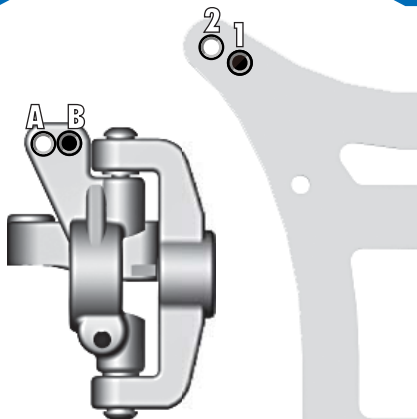
Setup Sheet for Team Associated's B44

Rev. 1

## :: Front Suspension

anti-roll bar:

- .047" - black  
 .055" - silver



bumpsteer: 2

camber: -1 °

toe: 0 °

ride height: Arm Level mm

steering rack:

back  
front

washers: 2

notes: \_\_\_\_\_  
 \_\_\_\_\_  
 \_\_\_\_\_

## :: Rear Suspension

anti-roll bar:

- .047" - black  
 .055" - silver

camber: 0 °

toe: STOCK °

ride height: Arm Level mm

wheelbase:

- long  
 medium  
 short

anti-squat  
washers: 1

washers: \_\_\_\_\_

notes: \_\_\_\_\_  
 \_\_\_\_\_  
 \_\_\_\_\_

## :: Front Shocks

spring: Silver piston: 2  
 shock fluid: 35 limiters: 1

## :: Rear Shocks

spring: Green piston: 1  
 shock fluid: 30 limiters: 1

## :: Differentials

front setting: Light  
 rear setting: Medium

## :: Wing

type: Proline  
 angle:  3°  6°  9°

## :: Electronics

motor: Orion VORTEX Brushless 6.5  
 gearing: 81 / 20  
 esc: LRP Sphere setting: \_\_\_\_\_

## :: Front Tires

tire: Panther T-725C  
 compound: \_\_\_\_\_  
 insert: \_\_\_\_\_  
 wheel: \_\_\_\_\_

## :: Rear Tires

tire: Panther T-755C  
 compound: \_\_\_\_\_  
 insert: \_\_\_\_\_  
 wheel: \_\_\_\_\_

## :: Race and Vehicle Comments

qualify: \_\_\_\_\_ main: \_\_\_\_\_ finish: \_\_\_\_\_ tq:   
 comments: \_\_\_\_\_  
 \_\_\_\_\_  
 \_\_\_\_\_

## :: Track Info

smooth:  bumpy:  blue groove:   
 traction:  high  med.  low  
 soft dirt:  grass:  clay:  wet:   
 dusty:  other: \_\_\_\_\_  
 \_\_\_\_\_  
 \_\_\_\_\_

**:: More setups: [www.RC10.com](http://www.RC10.com) / [www.TeamAssociated.com](http://www.TeamAssociated.com) / [www.CompetitionX.com](http://www.CompetitionX.com)**